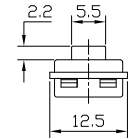
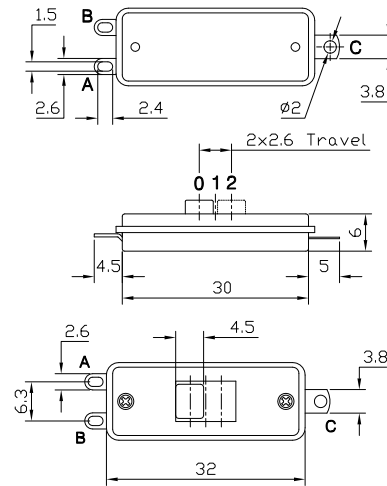


Since 1995, we focus on switches

## XN-11-1304



- Single Pole; 3 Position
- Ratings:  
8A 125VAC; 4A 250VAC; UL  
4A 250VAC; TUV
- Features:  
Soldering Terminal

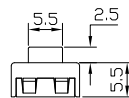
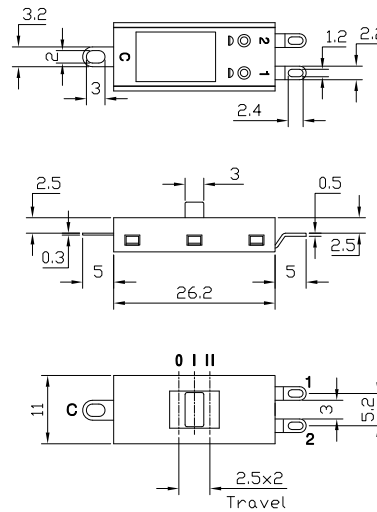


POSITION	CIRCUIT
0	A—o—C B—o—C
1	A—o—C B—o—C
2	A—o—C B—o—C

## XN-12-1310



- Single Pole; 3 Position
- Ratings:  
16A 125VAC; UL  
16A 125VAC; 10A(2) 250VAC; TUV, CB, CQC
- Features:  
Soldering Terminal



POSITION	CIRCUIT
0	C—o—1 C—o—2
1	C—o—1 C—o—2
2	C—o—1 C—o—2