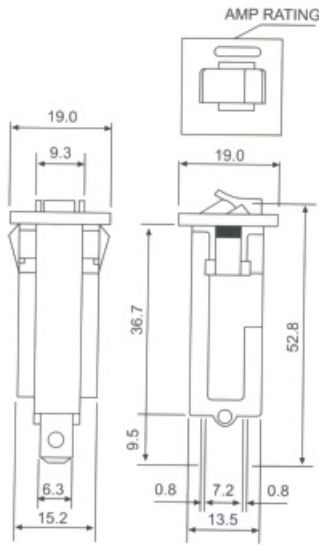


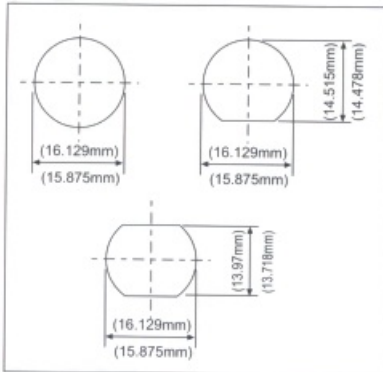
# SHINE CIRCUIT BREAKER SERIES

## 92 Series



Dimension in mm

### Recommended Panel Cutouts



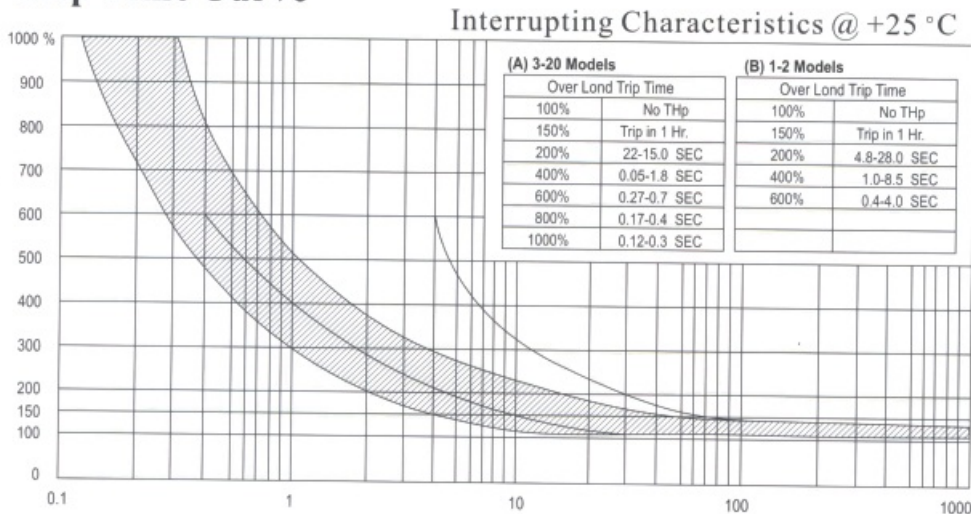
### Specifications

- \* Standard Rating: 1.5-20 AMPERE.
- \* Input Power: 125 VAC/250 VAC/32 VDC.
- \* Dielectric Strength: 1500 VAC/1 Minute.
- \* Interrupt Capacity: 125 VAC x 1000 A, 250 VAC x 200 A.
- \* Insulation Resistance: >100 MΩ
- \* Calibration: 25°C-105°C of Rated Current-Continuously Carried.  
 25°C-Between 101% to 134%-May Trip or Not.  
 25°C-135% of Rated Current-Trip Within 1 Hour.  
 25°C-200% of Rated Current-Trip Within 1 Minute.
- \* Contact Endurance:  
 125 VAC x 150% of Rated Current-500 Cycles.
- \* Reset: Manual Push Reset/Auto Reset.

### Approvals

- \* Approval: 2-18 A 125/250 VAC
- \* Approval: 3-15 A 125 VAC
- \* Approval: 2A-15 A 125/250 VAC/32 VDC

### Trip Time Curve



MAX Internal Resistance	
1.5A-2 A	0.150 Ω
2.5A-3 A	0.120 Ω
3A-4A	0.080 Ω
4A-5 A	0.040 Ω
5A-6 A	0.025 Ω
6A-7A	0.020 Ω
8A-9 A	0.016 Ω
10A-11 A	0.012 Ω
12A-13A	0.010 Ω
14A-16A	0.008 Ω
18A-20A	0.006 Ω